

PROFESSIONAL ENGINEERS ONTARIO

National Examinations - May 2012

07-Mec-A5, Electrical & Electronics Engineering

Mechanical Engineering

3 hours duration

Name [print]:

Signature:

Notes:

- [1] If doubt exists as to the interpretation of any question, the candidate is urged to submit, with the answer paper, a clear statement of any assumptions made.
- [2] Candidates may use one of two calculators, the Casio or Sharp approved models. This is a closed book examination.
- [3] Any five (5) questions constitute a complete paper. Only the first five questions as they appear in your answer book will be marked.
- [4] Each question is of equal value.
- [5] Clarity and organization of answers are important.
- [6] The candidate is required to sign this examination paper and submit it with the solution booklets.
- [7] $\pi = 3.14159$
 $1 \text{ hp} = 746 \text{ W}$
 $\mu_0 = 4\pi \times 10^{-7} \text{ H m}^{-1}$

Front Page

QUESTION 1

Consider the transistor circuit shown in Figure 1. All transistors can be assumed to be identical with a dc current gain β .

Calculate the current transfer ratio for the circuit, I_2 / I_1 , as a function of β .

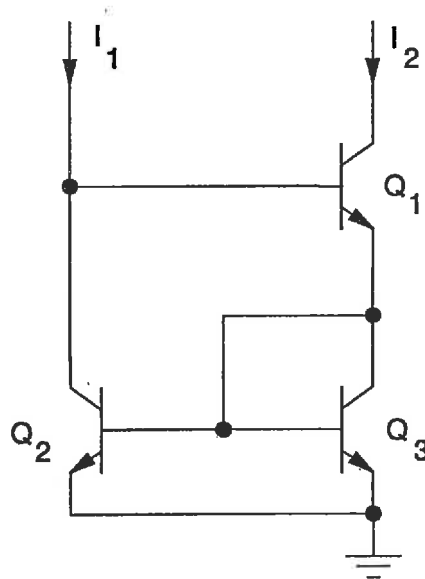


Figure 1 Transistor Circuit

QUESTION 2

This question consists of two parts which are not necessarily related.

Part I

A combinational logic circuit is shown in Figure 2.

- [a] Write a general Boolean algebra expression for the output F as a function of the inputs A, B.
- [b] Using DeMorgan's theorems and other Boolean identities, simplify the expression obtained in [a]. Is there a single gate which can replace the network shown?
- [c] Generate a truth table giving the logic levels at points C, D, E and F for inputs A,B.

Part II

Design a 2-input exclusive or (EOR) gate using only 2-input NOR gates.

- [d] Develop the truth table for the gate.
- [e] Write a general Boolean algebra expression for the output as a function of the inputs.
- [f] Using DeMorgan's theorems and other Boolean identities, modify the expression obtained in [e] to provide a solution which can be implemented with NOR gates.
- [g] Draw the circuit diagram for the final gate array.

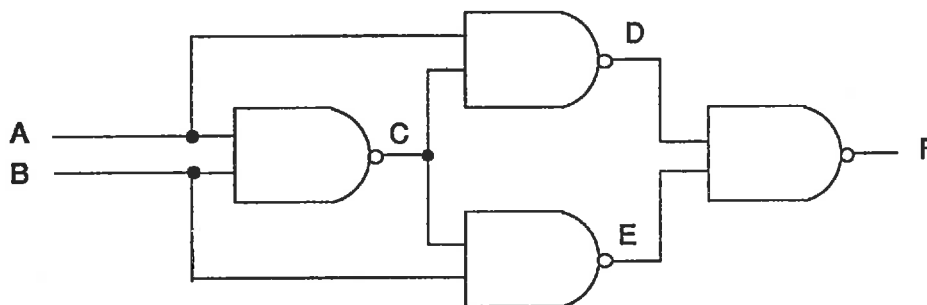


Figure 2 Combinational Logic Circuit

QUESTION 3

A linear dc machine consisting of a conducting bar resting on two conducting rails is shown in Figure 3. The magnetic flux density is 1 T, directed into the page, the resistor R is 0.05Ω , the rail separation is 1 metre, and the battery voltage V_0 is 2 V. Assume negligible friction between the bar and rails.

- [a] Assume that the bar is stationary at time $t=0$ when the switch S_1 is closed. What is the magnitude and direction of the force on the bar at the start? What is the initial current flow? What is speed of the bar assuming that no mechanical load is applied to the bar?
- [b] If the bar is loaded down with a force of 20 N opposite to the direction of motion, determine the new steady state speed. Calculate the power delivered by the battery, the power delivered to the mechanical load and the power lost to heat in the resistance R . What is the efficiency of the machine under these circumstances?
- [c] The loading force in part [b] is removed and a mechanical pulling force of 10 N directed to the right is applied to the bar. In steady state, determine the speed, the power taken from the mechanical source, the power delivered to the battery and the power lost to heat in the resistance R . What is the efficiency of the machine under these circumstances?

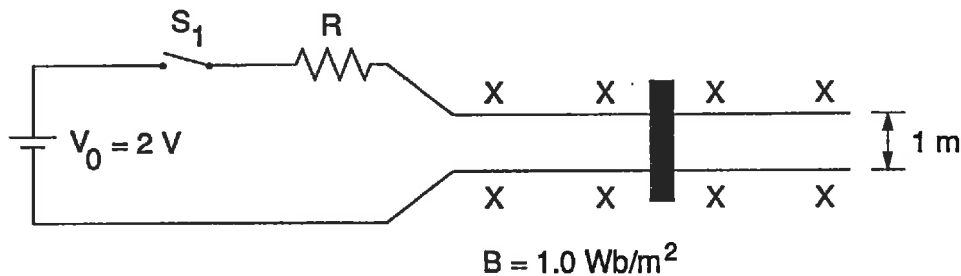


Figure 3 Top View of Linear dc Machine

QUESTION 4

Consider the magnetic circuit of a transformer shown in Figure 4. Infinite relative permeability can be assumed for the iron core.

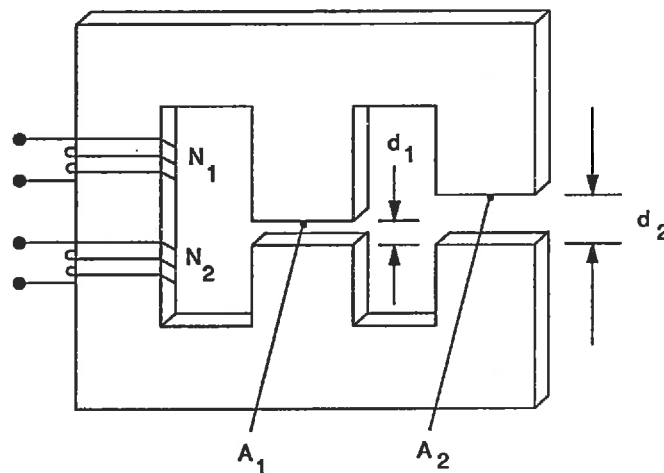


Figure 4 Transformer

The following specifications apply.

L_1	$3.77 \times 10^{-2} \text{ m}$	A_1	0.02 m^2
L_2	$7.54 \times 10^{-2} \text{ m}$	A_2	0.02 m^2
N_1 [primary]	200 turns	N_2 [secondary]	20 turns

When a dc voltage equal to 10 mV is applied to the primary, the measured primary current is 100 mA. When a dc voltage of 0.1 mV is applied to the secondary winding, the measured secondary current is 100 mA.

Assume that leakage inductances and eddy current and hysteresis losses are negligible; consider an operating frequency of 1000 Hz.

- Draw the equivalent circuit of the transformer referred to the primary and calculate component values.
- A transducer with an impedance of 0.078Ω is connected across the secondary of the transformer; an amplifier is connected to the primary. Calculate the output impedance of the amplifier to give maximum power transfer to the load.

QUESTION 5

Consider the circuit shown in Figure 5. Assume an ideal operational amplifier with infinite bandwidth and infinite open loop gain.

- [a] Use the straight line approximation technique to sketch a plot of the magnitude of V_O/V_I in dB versus \log_{10} of frequency for a frequency range of 0.001 Hz to 10 MHz. Clearly indicate all gain levels, corner frequencies and unity gain points. Show calculations of the data used to plot your graph.
- [b] A signal generator is connected to the input of the circuit.
 - [1] A sine wave of frequency 0.01 Hz is selected for input to the circuit. What is the function of the circuit at this frequency? Write an expression for the transfer function of the circuit in the time domain.
 - [2] A sine wave of frequency 1000 Hz is selected for input to the circuit. What is the function of the circuit at this frequency? Write an expression for the transfer function of the circuit in the time domain.
 - [3] A sine wave of frequency 1 MHz is selected for input to the circuit. What is the function of the circuit at this frequency? Write an expression for the transfer function of the circuit in the time domain.

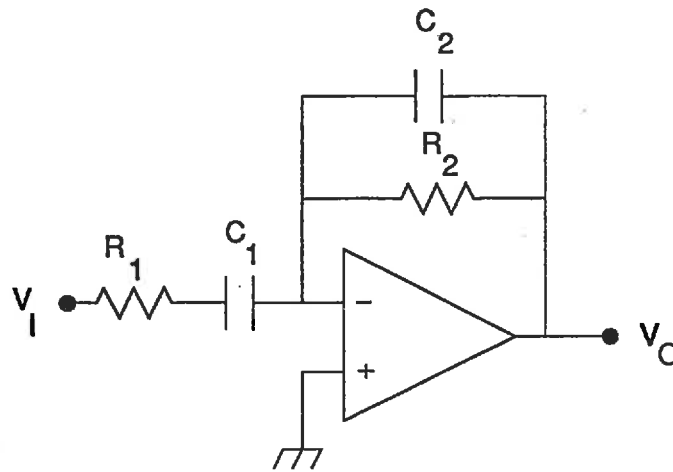


Figure 5 Circuit Schematic

Resistors		Capacitors	
R_1	160 kohm	C_1	1.0 μ F
R_2	16 Mohm	C_2	1 pF
Component List			

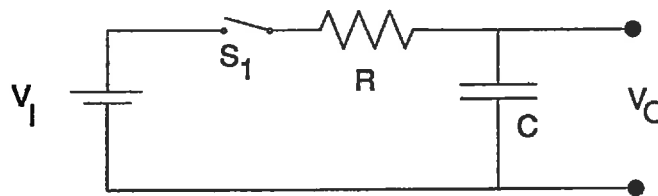
QUESTION 6

Consider the RC circuit shown in Figure 6[a]. The switch S_1 is closed at time $t=0$ connecting the dc supply V_I to the network.

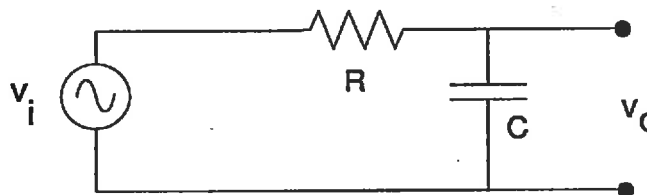
- [a] Derive an expression for the transfer function of the circuit, V_O/V_I , in the time domain.
- [b] Sketch the transfer function for a time interval of 5 time constants.

The RC circuit is reconfigured as shown in Figure 6[b]. An ac voltage source of variable frequency v_i is connected to the input.

- [c] Derive an expression for the transfer function of the circuit, v_o/v_i , in the frequency domain.
- [d] Sketch the magnitude of the transfer function for a frequency range of 4 decades centered at the corner frequency of the circuit.



[a]



[b]

Figure 6 RC Circuit: [a] dc test; [b] ac test

QUESTION 7

An industrial load is represented in Figure 7 by $R = 6\Omega$ and $X_L = 8\Omega$. The load voltage is $250\angle 0^\circ$ V.

- Calculate the load current, power, reactive power and power factor.
- Calculate the generator voltage V_G required at the input end of the transmission line (represented by the series impedance $Z_T = (1 + j3)\Omega$) and the power lost in transmission P_T .
- If capacitor $X_C = 12.5\Omega$ is connected in parallel by closing switch S, calculate I_C , the new load current I, and the new power factor. Show V, I_L , I_C , and I on a phasor diagram.
- Calculate the new generator voltage and the new transmission power loss.
- What two advantages do you see for improving the power factor by adding a parallel capacitor?

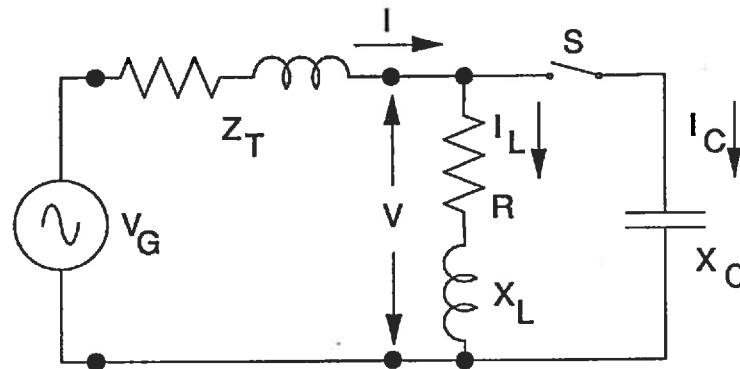


Figure 7 Industrial Load

QUESTION 8

The results of no-load and blocked-rotor tests conducted on a three-phase wye-connected induction motor are as follows:

No-load test:

line-to-line voltage: 400V

input power: 1770W

input current: 18.5A

friction and windage loss: 600W

Blocked-rotor test:

line-to-line voltage: 45V

input power: 2700W

input current: 63A

- [a] Sketch the equivalent circuit of the induction motor and identify all parameters.
- [b] Determine the parameters of the equivalent circuit of the induction motor.